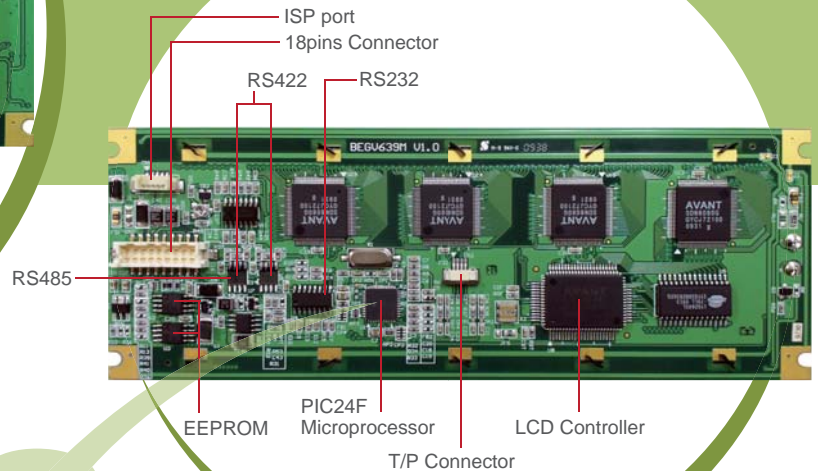


BEGV639M

µp Display Embedded System



Your 64KB application program here!

Features

- High performance, Low power PIC 16-bit microprocessor
- Built-in 64KB ISP Flash memory / 8KB SRAM
- On board updateable 64KB EEPROM (128KB option)
- 1 x RS485 / 422 / 232, 1 x RS232
- High speed I²C
- Built-in 4-wired resistive touch panel
- Current consumption 160mA
- 240 x 64 monochrome STN LCD
- On-chip power-on reset(POR) and programmable watchdog reset
- Comprehensive set of development tools and application notes for self programming
- RS485 / 422 / 232 driver, I²C driver, touch panel driver, LCM driver and utility are supported
- Dimension (W x H x D): 180 x 65 x 19mm

Hardware Specifications

Processor

- Microchip PIC24FJ64GA004 16-bit microprocessor

Memory

- 64KB in-system programmable flash
- 8KB internal SRAM
- 64KB x 1 external I²C CMOS EEPROM (option: 64KBx2)

Display Interface

- Support 8-bit scan 240 x 64 monochrome STN LCD (edge LED white backlight)

RS232 / 422 / 485 Port

- Support dual serial port, one is three-wired RS232, another is shared in among RS232/422/485 port by option

Serial Peripheral Interface

- One two-wired serial interface (I²C) 250KHz data transfer speed

Touch Panel Interface

- Support four-wired resistive touch panel interface

Software Utilities

- Support RS232 / 422 / 485 driver, I²C driver, touch panel driver and LCM driver for free

DC Requirement

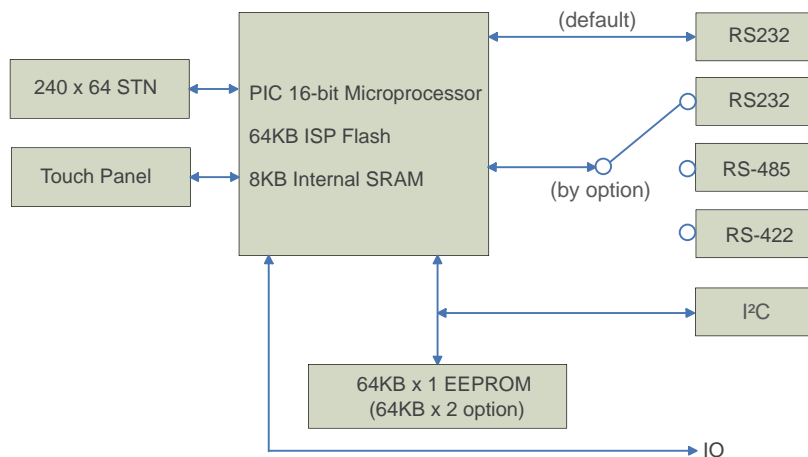
- DC4.5V~5.5V



Packing List

- BEGV639M Embedded System
- User Manual
- Software Utility Disc
- ICD 3 and ISP Cable (option)

BEGV639M BLOCK DIAGRAM



Pin Mapping Table


PIN NO.	Signal	PIN NO.	Signal
1	GND	10	IOA
2	TX0	11	422TP/485P/TX1
3	VDD	12	IOB
4	RX0	13	422TN/485N/RX1
5	VADJ	14	IOC
6	SCL	15	422RP
7	Vout	16	A
8	SDA	17	422RN
9	/Reset	18	K

Order Information

Parts NO.	Description	RS232-A	RS232-B	RS422	RS485
BEGV639M	Dual RS232	☆	☆		
BEGV639M1	One RS232	☆			
BEGV639M2	One RS232/One RS422	☆		☆	
BEGV639M3	One RS232/One RS485	☆			☆

Display: FSTN/Gray LCD,LED/White Backlight(Default)

BEGV606M/627M/629M/639M Display Embedded System



MICROCHIP PIC 16bit microprocessor
 PIC24FJ64GA004
 64K Bytes In-system programmable flash
 8K Bytes SRAM



240 x 64 STN



128 x 64 OLED



BEGV639M



BEGV629M



MICROCHIP PIC 16bit microprocessor
 PIC24FJ64GA002
 64K Bytes In-system programmable flash
 8K Bytes SRAM



128 x 64 STN



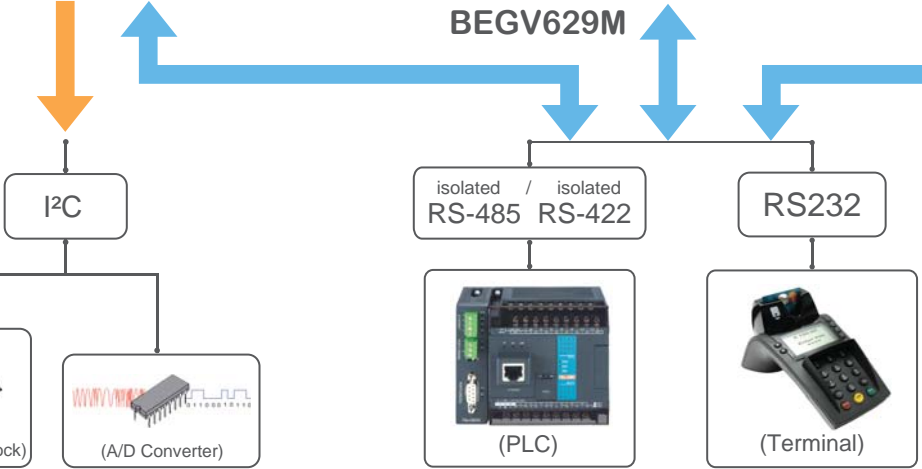
20 x 2 STN



BEGV627M



BEGV606M



BOLYMIN, INC.